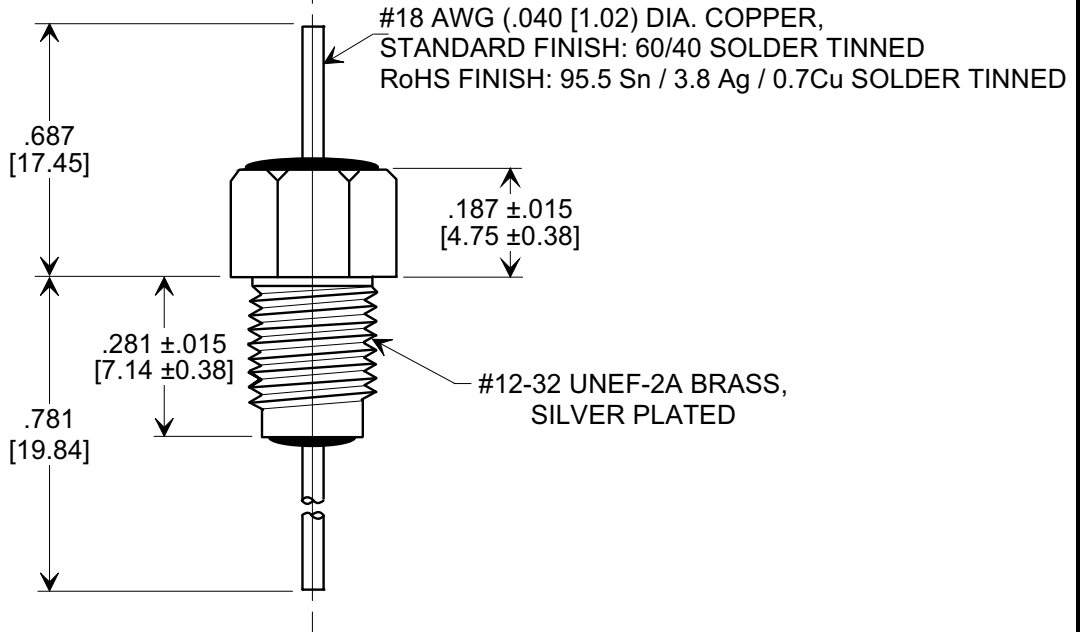
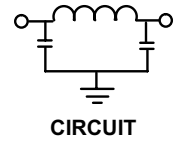
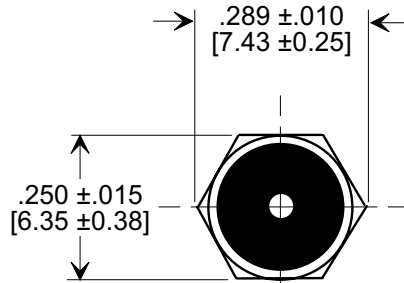
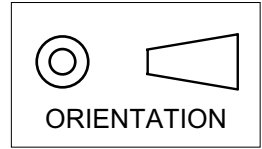


MARKETING SALES DRAWING
DIMENSIONS IN INCHES - DO NOT SCALE THIS DRAWING
DIMENSIONS IN METRIC - []

Electrical Testing
per Tusonix standard
test plans and Mil-Std-202
Test Methods.



NOTES:

- SUPPLIED WITH SILVER PLATED HEX NUT AND LOCK WASHER.
- TUSONIX STANDARD PART NUMBER: 4202-027.
TUSONIX RoHS COMPLIANT PART NUMBER: 4202-027 LF.
CUSTOMER MUST SPECIFY STANDARD OR RoHS PART NUMBER WHEN ORDERING.
- PART MARKING: TRADEMARK AND VARIATION NUMBER ON HEX FLATS.
STANDARD PART: BLACK INK. RoHS PART: GREEN INK.

CAP. (pF)	WORKING VOLTAGE (VDC)		CURRENT (Idc)	I.R. MIN. @ 100 (VDC.)	DWV (VDC)	MINIMUM NO LOAD INSERTION LOSS (dB) AT 25°C PER MIL-STD -220			
	85°C	125°C				10 MHz	100 MHz	1 GHz	10 GHz
2500 MIN.	500	350	15A	10 G	1200	5	50	70	70

REVISION RECORD Original Release C.O. 19980324-5-01 ADDED NOTES 2, 3, METRIC, IR & DWV. S.M. 05-19-05 20050503-6-16	0	--TOLERANCES-- Unless Otherwise Specified DECIMAL ± .031 [0.79] ANGLES ±	Title BUSHING STYLE EMI FILTER	
	1		Drawn S.M. 03-26-98 Scale 3 X	
	TUSONIX TUCSON, ARIZONA		Approved H.R. 03-26-98	
	A		4202-027	